



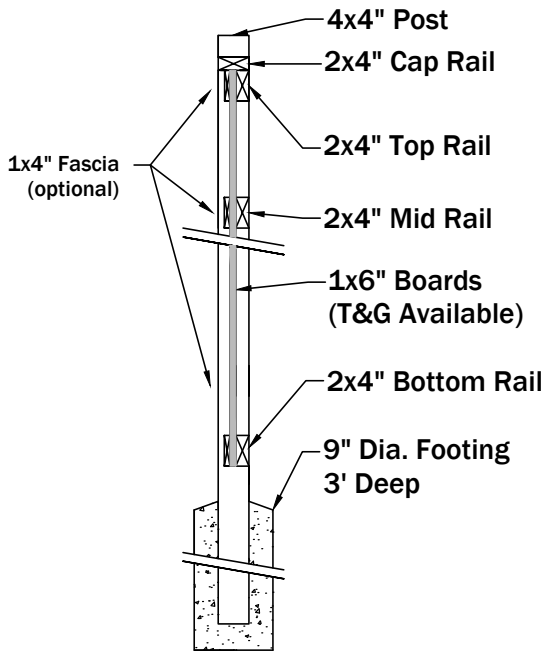
**SUBURBAN**  
Fence Systems Ltd.

1428 Speers Road, Unit 19  
Oakville, ON, L6L 5M1  
Office:(905)465-3462  
Fax:(905)465-2092

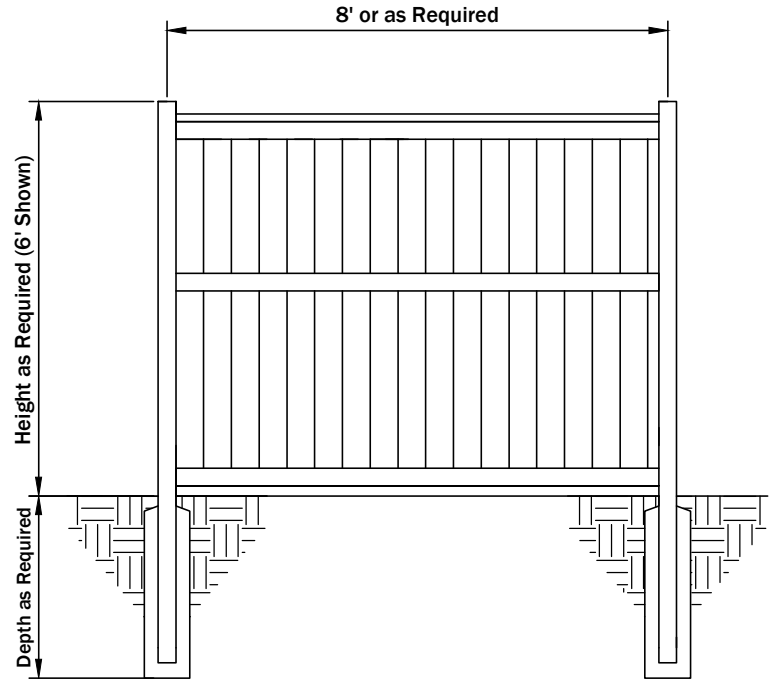
# The Jasper

in 4', 5', and 6'

## 4x4" Post Option

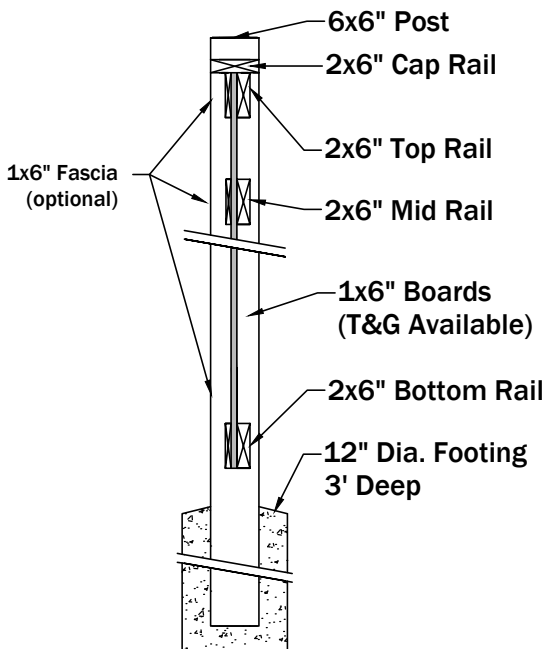


Cross Section View

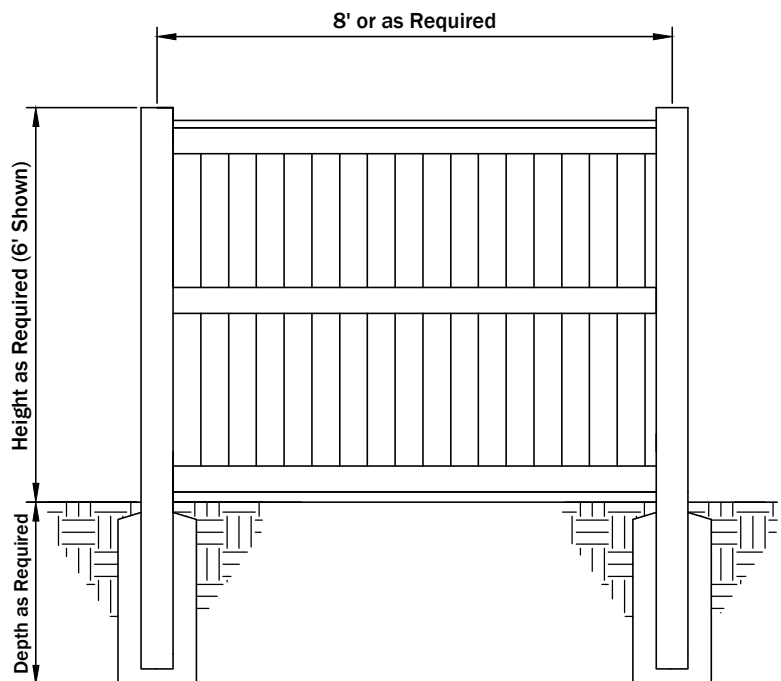


Elevation View

## 6x6" Post Option



Cross Section View



Elevation View

Note: Due to lumber shrinkage, gaps between boards may occur when not using Tongue and Groove system.