

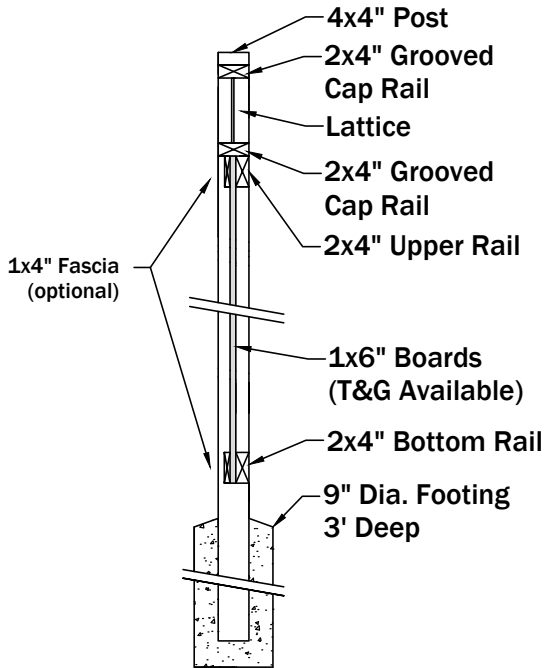


SUBURBAN
Fence Systems Ltd.

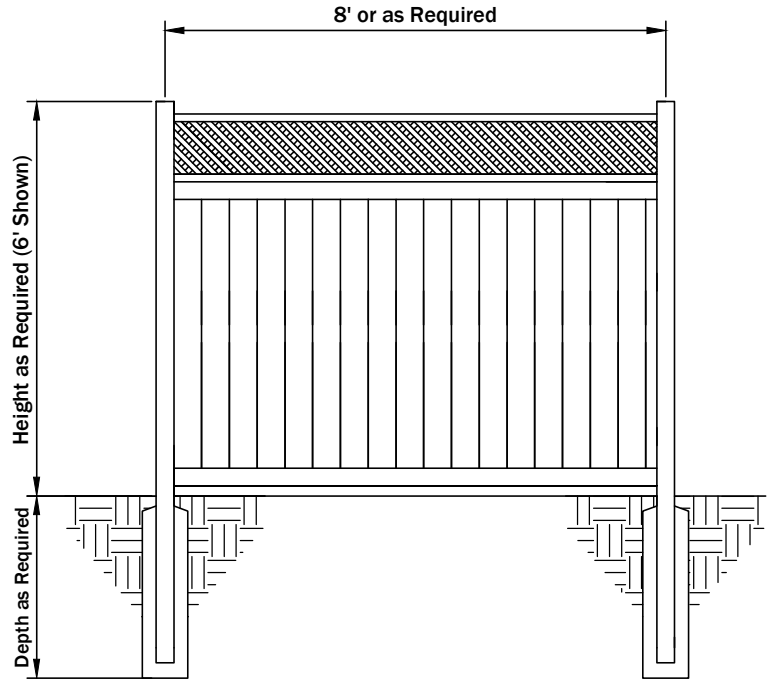
1428 Speers Road, Unit 19
Oakville, ON, L6L 5M1
Office:(905)465-3462
Fax:(905)465-2092

The Jasper with Lattice in 4', 5', and 6'

4x4" Post Option

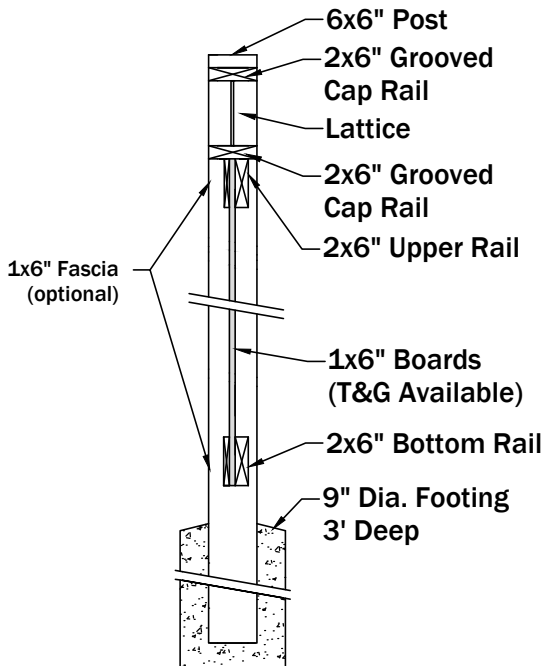


Cross Section View

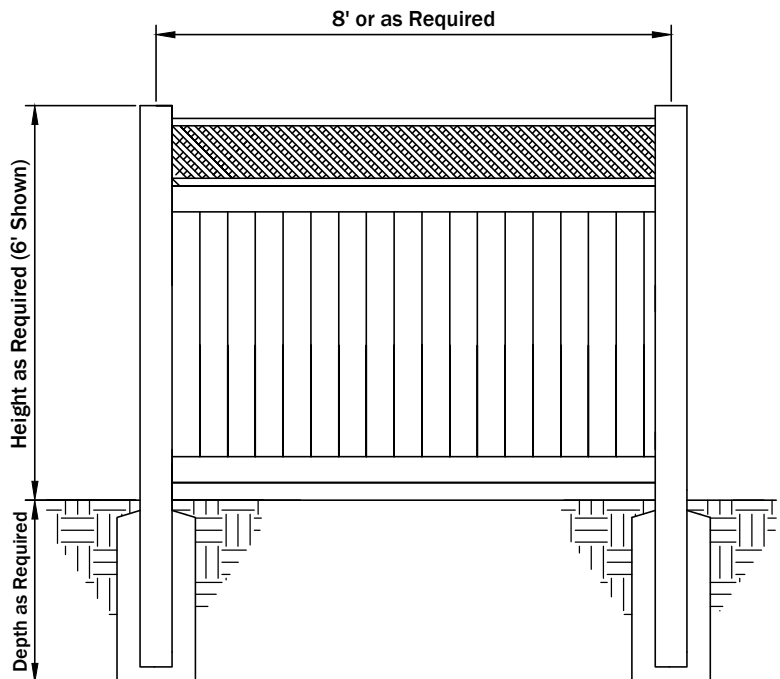


Elevation View

6x6" Post Option



Cross Section View



Elevation View

Note: Due to lumber shrinkage, gaps between boards may occur when not using Tongue and Groove system.